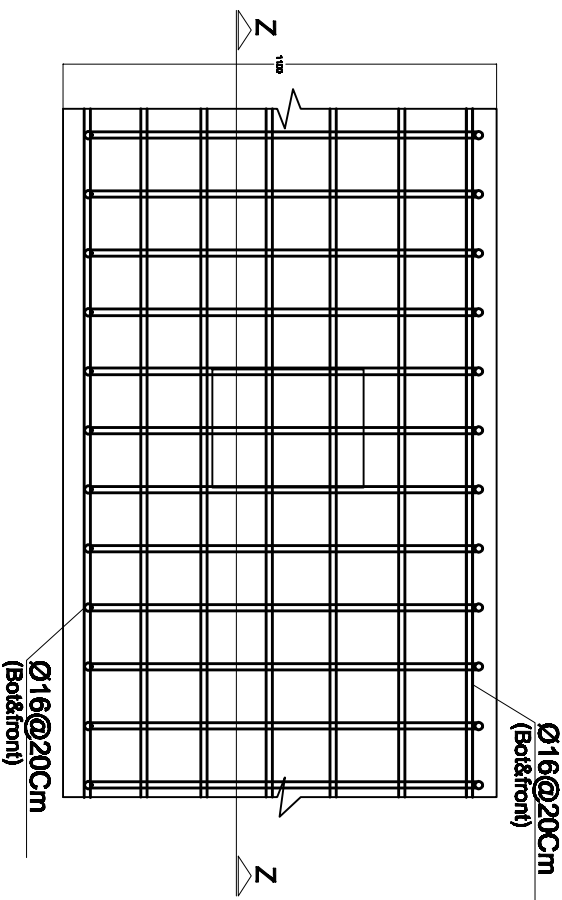


SHEET NO
\$

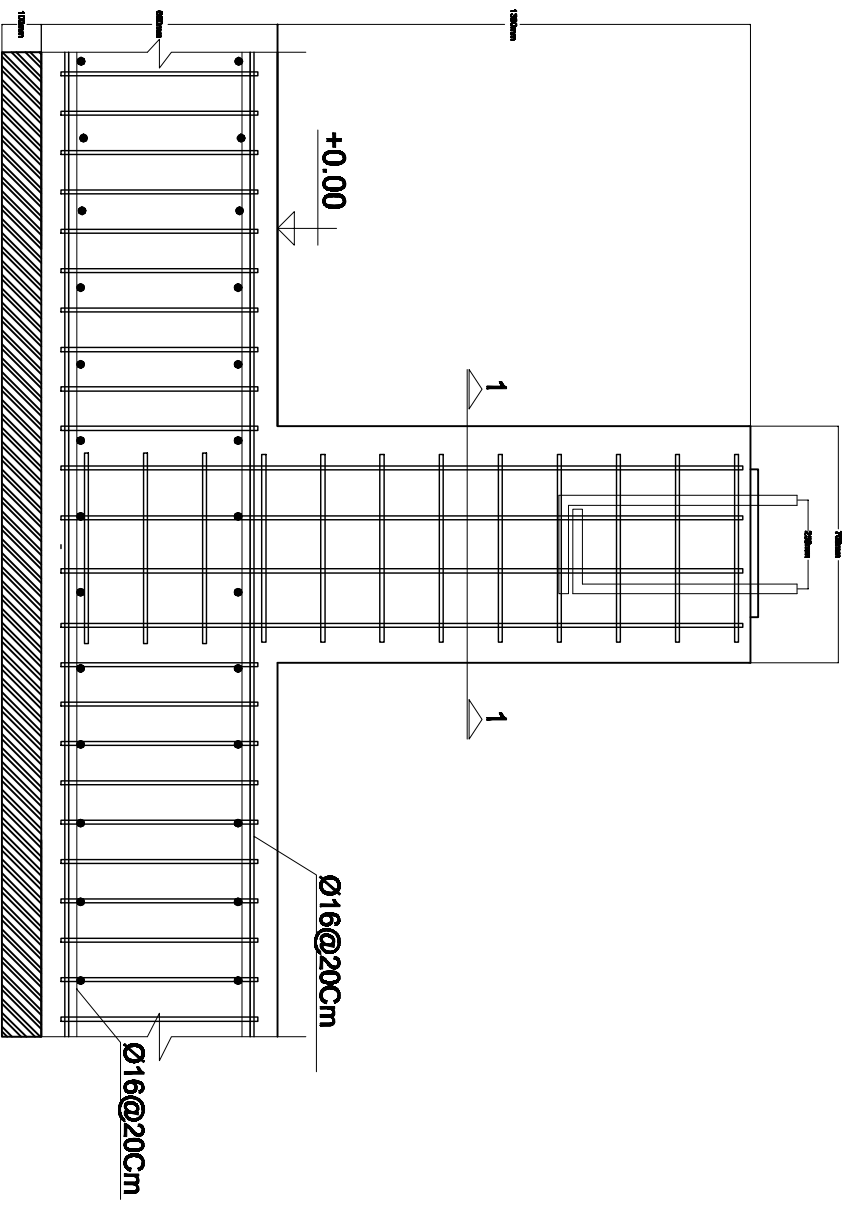
عراق فدراسیون

وزارت کشور
استانداردی گلستان
شهرداری مینودشت

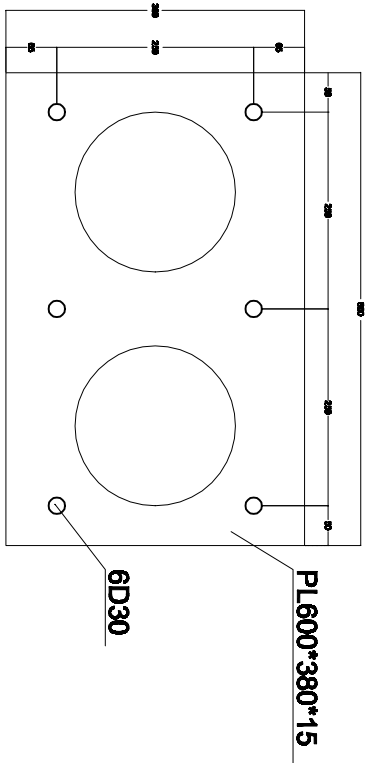
DESIGNED BY	مهندس	DESIGNED BY	مهندس
CHECKED BY	مهندس	CHECKED BY	مهندس
APPROVED BY	مهندس	APPROVED BY	مهندس
DATE	1402/05/15	DATE	1402/05/15
PROJECT TITLE	عمدان پروژه	PROJECT TITLE	عمدان پروژه
DRAWING TITLE	عمدان نقشه	DRAWING TITLE	عمدان نقشه
DESIGNED BY	مهندس	DESIGNED BY	مهندس
CHECKED BY	مهندس	CHECKED BY	مهندس
APPROVED BY	مهندس	APPROVED BY	مهندس
DATE	1402/05/15	DATE	1402/05/15



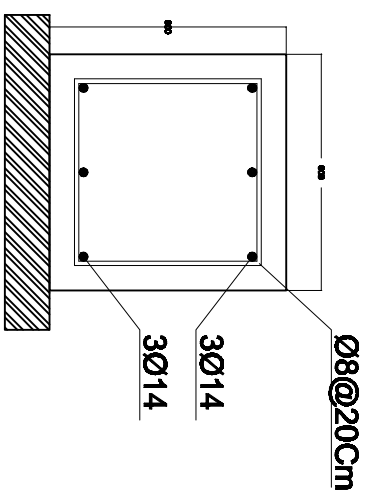
FOUNDATION TYPE F1
SCALE:1/50



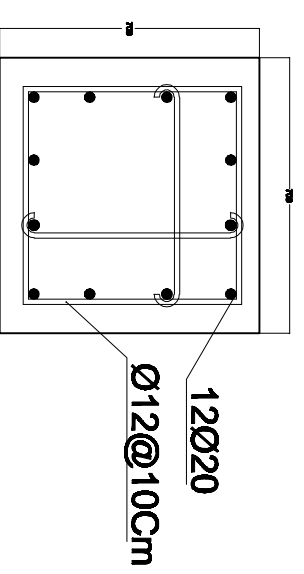
SECTION Z-Z
SCALE:1/100



BASE PLATE
SCALE:1/10



SECTION A-A
SCALE: 1/50



PEDESTAL SECTION 1-1
SCALE: 1/50